

Genesis[®] LiveDrive[®]



Motion Redefined

High torque direct-drive actuators for high throughput robots and machines

Features

- Up to 210 N-m peak torque (LDD 1860)
- IP67 Protection Class
- High precision encoders with Hiperface DSL[®], Hiperface[®], EnDat 2.2 and BiSS-C[®] protocols
- Compatible with industrial servo drives
- One Cable Technology (OCT) available with Hiperface DSL[®]
- Integrated holding brake

Benefits

LiveDrive LDD enables mechanically simple and powerful drivetrains that are more axially compact, controllable, and clean compared to geared systems, with the following benefits to your customers:

- Higher throughput per square foot
- Higher throughput per machine
- Improved uptime
- Maintenance free drivetrain
- Contamination free drivetrain

Performance Range

■ Max. Continuous Torque ■ Peak Torque



LDD Series

Models	LDD 1830A	LDD 1841A	LDD 1850A	LDD 1860A	LDD 1830B	LDD 1841B	LDD 1850B	LDD 1860B
--------	-----------	-----------	-----------	-----------	-----------	-----------	-----------	-----------

Size

	mm	mm	mm	mm	mm	mm	mm	mm
Outer Diameter	180	180	180	180	180	180	180	180
Length (X)	106.2	131.4	156.6	181.8	106.2	131.4	156.6	181.8
Mass ¹	8.2	10.8	13.3	15.6	8.2	10.8	13.2	15.7
Rotor Inertia ¹	0.0036	0.0065	0.0104	0.0158	0.0036	0.0065	0.0104	0.0158

Performance

	VAC	480	480	480	480	230	230	230	230
Voltage	N-m	19.3	33.5	52.6	61.7	19.3	33.5	52.6	61.7
Max Continuous Torque ²	Arms	1.51	1.72	2.35	2.6	3.34	3.25	4.39	5.72
Max Continuous Current ²	W	586	787	1192	1288	602	754	1105	1458
Rated Power	rpm	400	272	245	227	411	261	227	257
Rated speed	N-m	56	110	160	210	56	110	160	210
Peak Torque	Arms	4.8	6.1	8	9.6	10.6	11.5	14.3	21.5
Peak Current	W	1632	2277	3152	3711	1632	2277	3152	3711
Peak Power	rpm	460	311	273	258	471	308	272	302
Maximum speed									

Operation

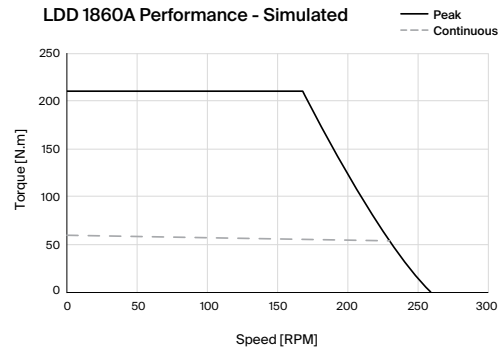
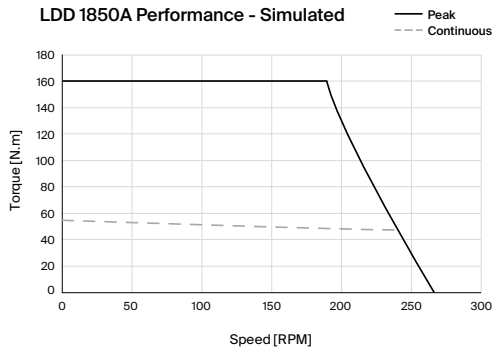
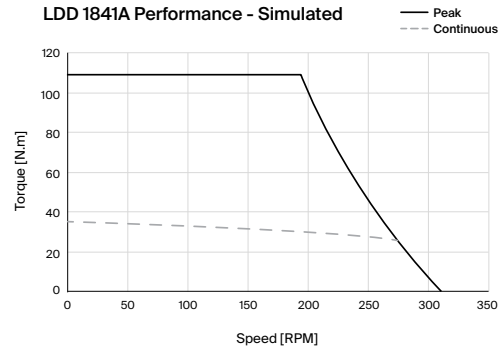
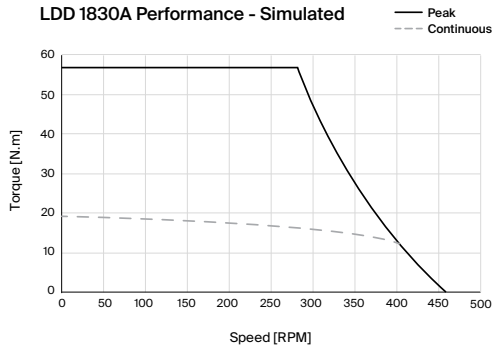
Operating Ambient Temperature	°C	0 to 40							
Heat sink	-	300 mm x 300 mm x 12.7 mm, Aluminum Plate	400 mm x 400 mm x 12.7 mm, Aluminum Plate	300 mm x 300 mm x 12.7 mm, Aluminum Plate	400 mm x 400 mm x 12.7 mm, Aluminum Plate				

Features

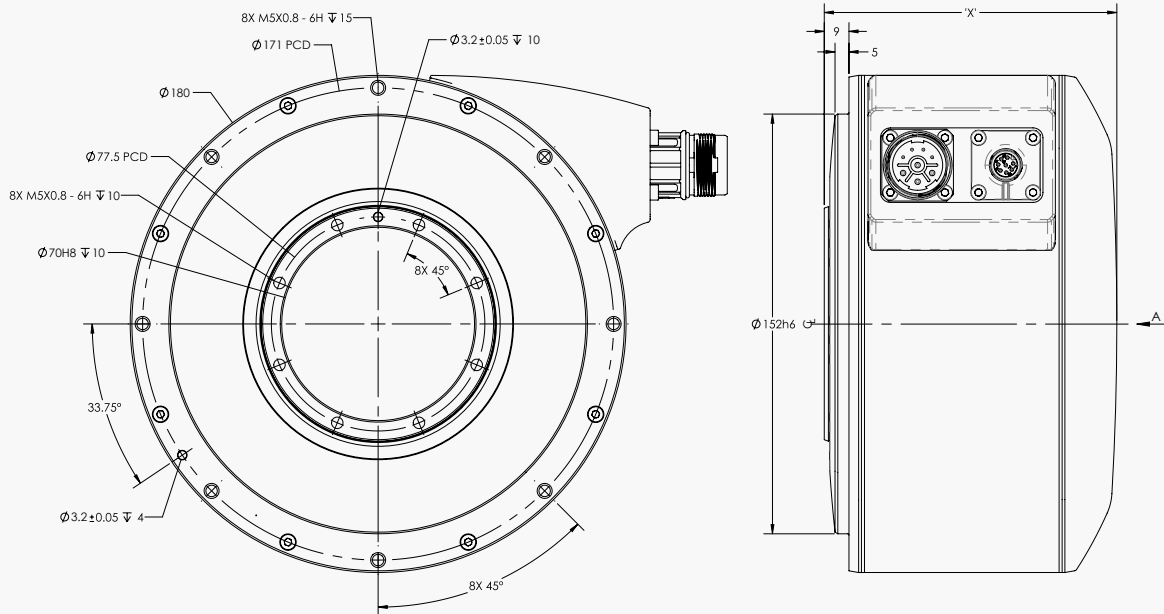
Supported Encoders	-	EnDat 2.2 Single turn Hiperface DSL® Single turn Hiperface® Single turn BISS-C Single turn
Holding Brake Torque (optional)	-	18 N-m
Connector Interface	-	M23 One Cable (Hiperface DSL®) M23 power and M12 encoder (Other encoders)
Temperature Sensors		PT1000 RTD
Protection Class	-	IP67

1. Indicated for models with Integrated Holding Brake and Hiperface DSL® encoder.
2. At 20 RPM.

LDD 1800 Performance Curves



LDD 1800 Outline Drawings



- Notes:
- All dimensions in millimeters.
 - For the value of 'X', refer to the specifications chart on page two.

Model Configurations

LDD 1800B-D17-NA

Product Family

LDD: LDD

Product Series

18: 180mm OD

Stack Length

30: Short stack

41: Medium stack

50: Intermediate stack

60: Long stack

Other: Application specified

Voltage

A: 400-480 VAC

B: 200-230VAC

X: Custom feature

Feedback

E1: EnDat2.2, single turn, absolute

H1: Hiperface®, single turn, absolute

D1: Hiperface DSL®, single turn, absolute

B1: BiSS-C®, single turn, absolute

XX: Custom feature

Configuration

A: Standard product

X: Custom feature

Brake

B: Holding brake

N: No brake

X: Custom feature

Sealing

Z: IP67

X: Custom feature

Engineered Solutions

LiveDrive® engineered solutions enable a wide array of drivetrains for customized industrial machinery. Optimize the performance and features of an LDD actuator for your specific application in collaboration with our Applications team.

Contact Us

To receive a quote or place an order please contact sales or visit the website.

sales@genesis-robotics.com

+1 604 800 1907

genesisrobotics.com

